

Club Car

®

CLUB PROTECTOR[®] KIT INSTALLATION INSTRUCTIONS

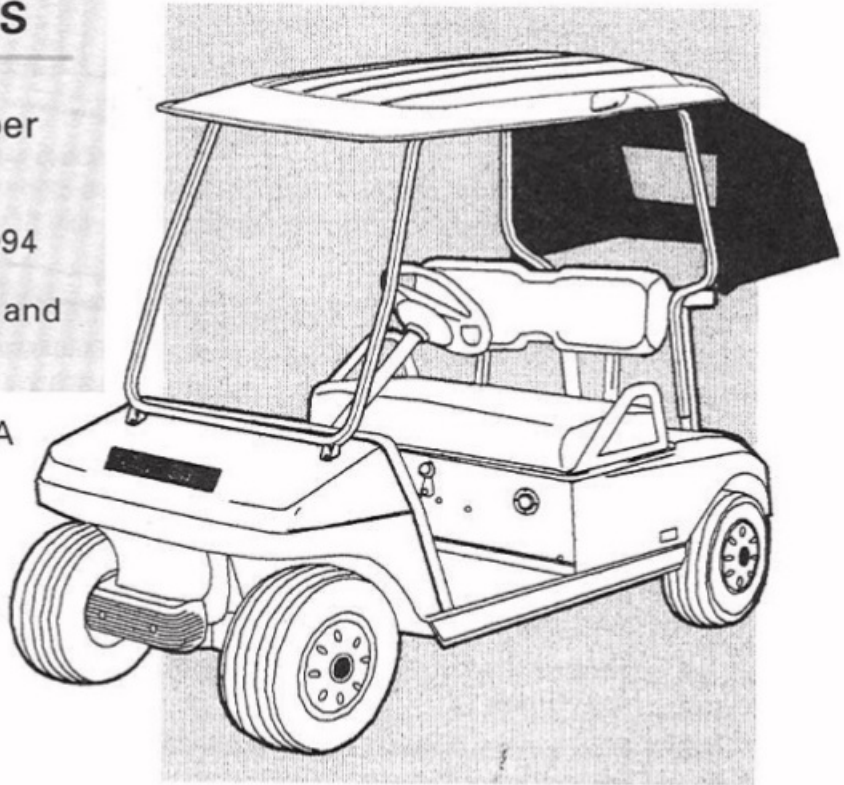
FOR DS GOLF CARS

Publication Part Number
102183901

Effective November 15, 1994

Kit Part Number 101934601 and
101934602

Edition Code 0100B1001A



GENERAL INFORMATION AND PRECAUTIONS

Review entire kit instructions and safety precautions before beginning installation procedures. These instructions pertain to DS golf cars equipped with either one of two different canopy styles.

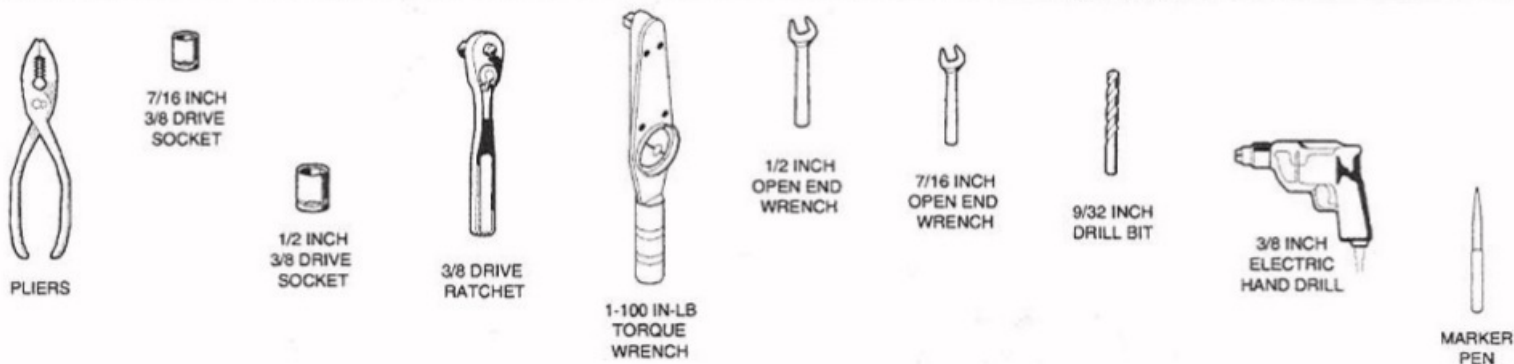
The Club Protector installation procedure differs depending on the canopy style. The canopy style is best identified by the seat back design: *separate*—one seat back for the passenger and one for the driver, or *one-piece*—spanning the width of the vehicle. Procedures pertaining exclusively to one canopy style or the other will be identified by seat back design.

OBSERVE THE FOLLOWING WARNING STATEMENTS AND PROCEDURES! Failure to do so may result in severe personal injury and (or) damage to the vehicle or property:

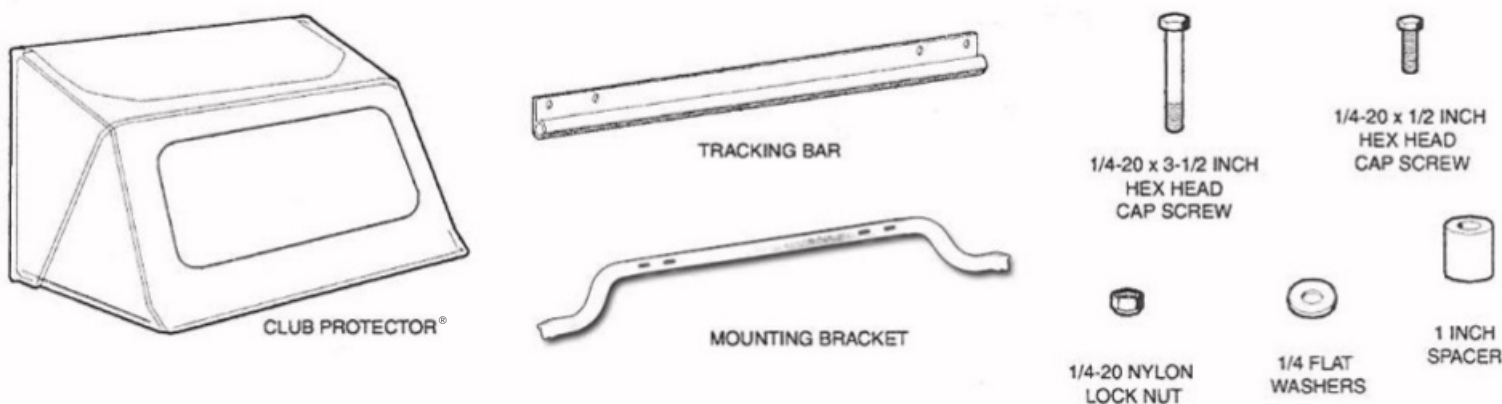
▲ WARNING

- ONLY TRAINED TECHNICIANS SHOULD REPAIR OR SERVICE THIS VEHICLE. ANYONE DOING EVEN SIMPLE REPAIRS OR SERVICE SHOULD HAVE KNOWLEDGE AND EXPERIENCE IN GENERAL ELECTRICAL AND MECHANICAL REPAIR. FOLLOW ALL PROCEDURES EXACTLY AND HEED ALL WARNING STATEMENTS IN THESE INSTRUCTIONS.
- TURN KEY SWITCH **OFF**, PLACE FORWARD/REVERSE HANDLE IN THE **NEUTRAL** POSITION, AND REMOVE KEY PRIOR TO SERVICING.

TOOLS REQUIRED



PARTS IN THIS KIT



1. MOUNT PROTECTOR ONTO CANOPY—SEPARATE SEAT BACKS

- **This step pertains to vehicles with separate driver and passenger seat backs.** If your vehicle has a one-piece seat back, proceed to Step 2.
- 1.1. Remove the four screws and nuts and two canopy trim plates that secure the rear braces to the canopy (**Figure 1**).
- 1.2. Slide the tracking bar between the canopy supports and canopy (**Figure 2**). Align the holes in the tracking bar with the holes in the canopy.
- 1.3. With canopy trim plates on the outside and inside of the canopy as shown, secure the rear braces to the canopy with the hardware removed in Step 1.1. Tighten hardware to 45 in-lb (5.1 N-m) (**Figure 2**).

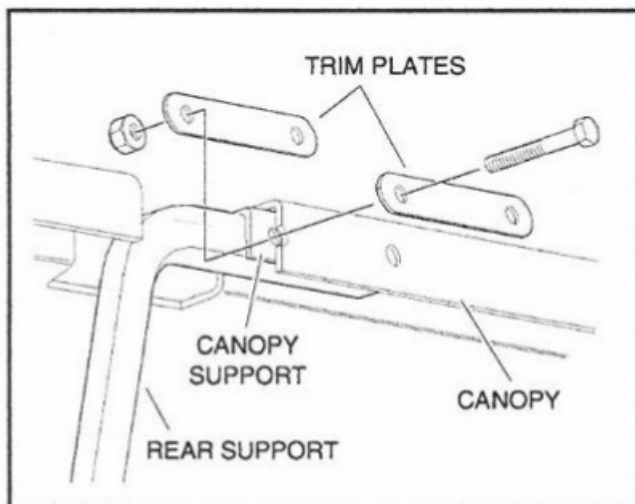


Figure 1 Remove Canopy Mounting Screws—Separate Seat Back Design

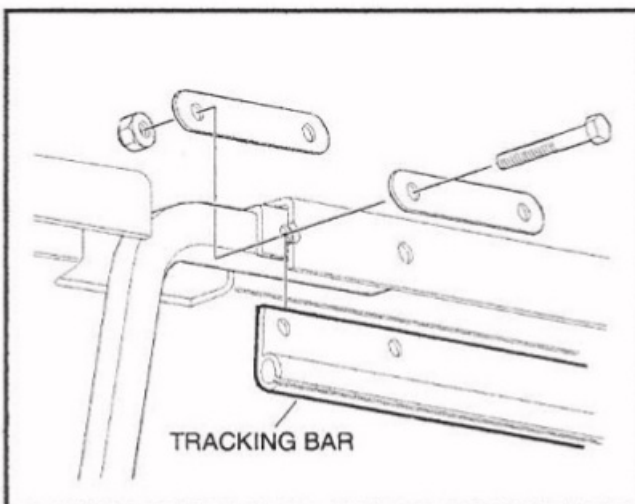


Figure 2 Mount the Tracking Bar—Separate Seat Back Design

2. MOUNT PROTECTOR ONTO CANOPY—ONE-PIECE SEAT BACK

- This step pertains to vehicles with a one-piece seat back.

2.1. Place the tracking bar against the two gussets at the rear of the canopy as shown (Figure 4). Make sure the tracking bar is centered on the canopy.

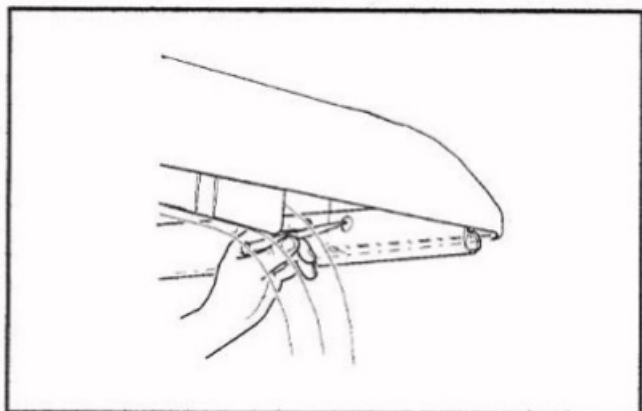


Figure 3 Locate Mounting Holes—
One-Piece Seat Back Design

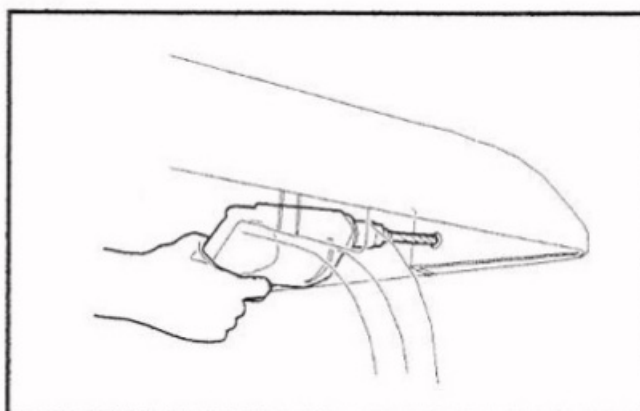


Figure 4 Drill Mounting Holes—
One-Piece Seat Back Design

2.2. Mark the center of one new mounting hole onto each canopy gusset using the two innermost holes on the tracking bar as templates. Drill two 9/32 inch holes through canopy gussets (Figure 4). See following Caution.

⚠ CAUTION

- DO NOT DRILL THROUGH THE CANOPY EXTERIOR.

2.3. Secure the tracking bar to the canopy with two 1/4-20 x 1/2 hex head screws, 1/4 flat washers, and 1/4 locknuts as shown (Figure 5). Tighten hardware to 45 in-lb (5.1 N-m).

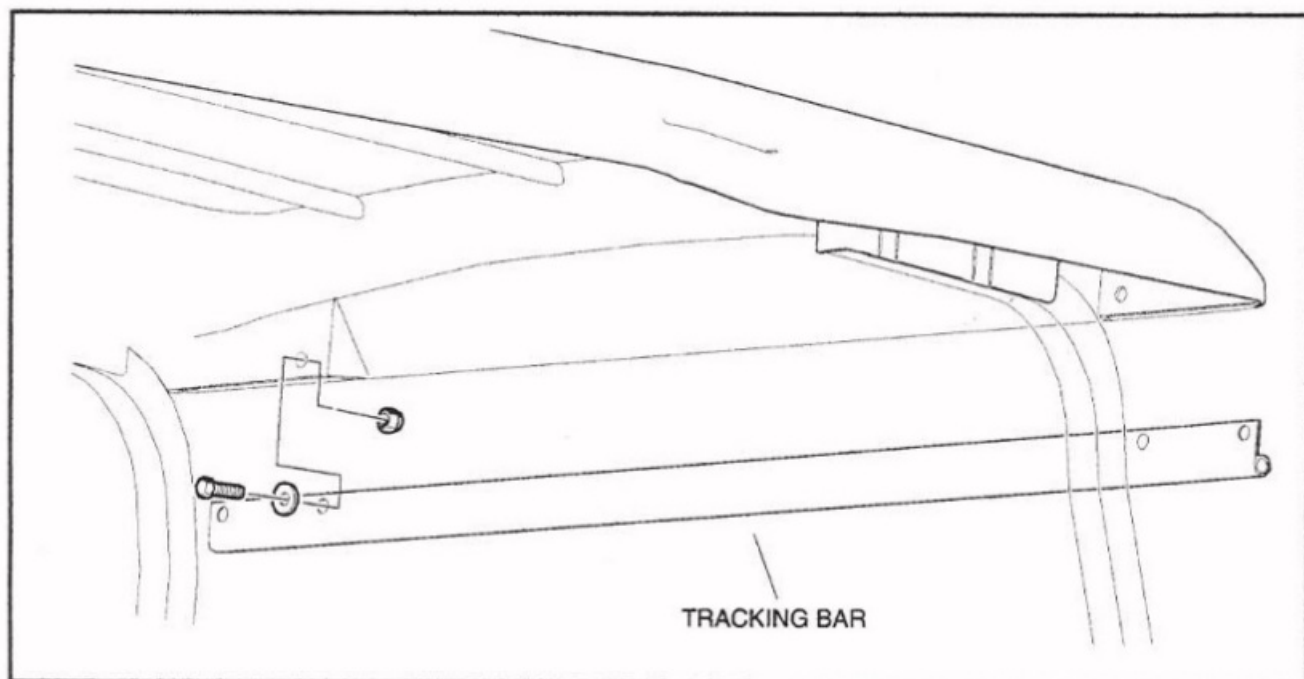


Figure 5 Secure Tracking Bar to the Canopy—One-Piece Seat Back Design

3. ATTACH THE CLUB PROTECTOR® TO THE TRACKING BAR

- 3.1. Slide the top (beaded) edge of the club protector into the slot on the tracking bar as shown (Figure 6).
- 3.2. Using pliers, crimp both ends of the tracking bar to hold the protector in place (Figure 6).

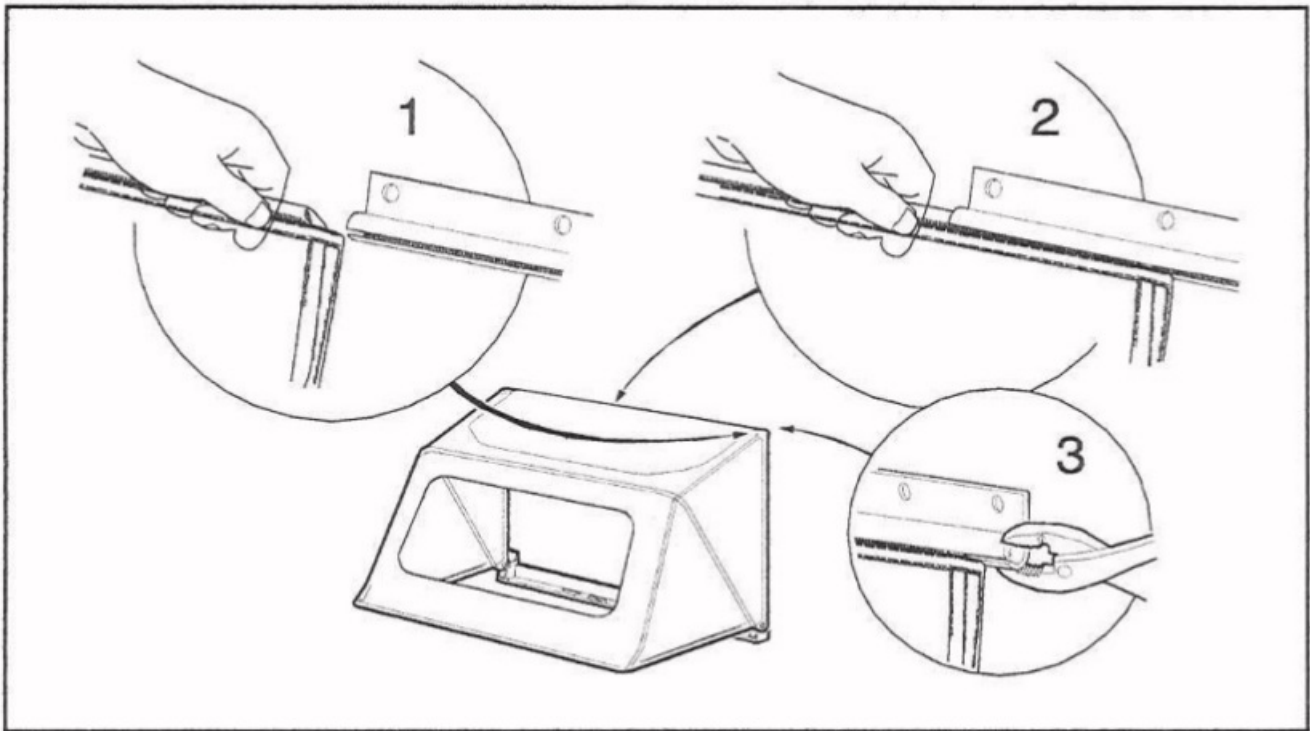


Figure 6 Attach Club Protector to the Tracking Bar

4. INSTALL MOUNTING BRACKET

- 4.1. Remove locknuts, washers and screws securing the bag hoop to the rear seat support (Figure 7). Discard hardware.

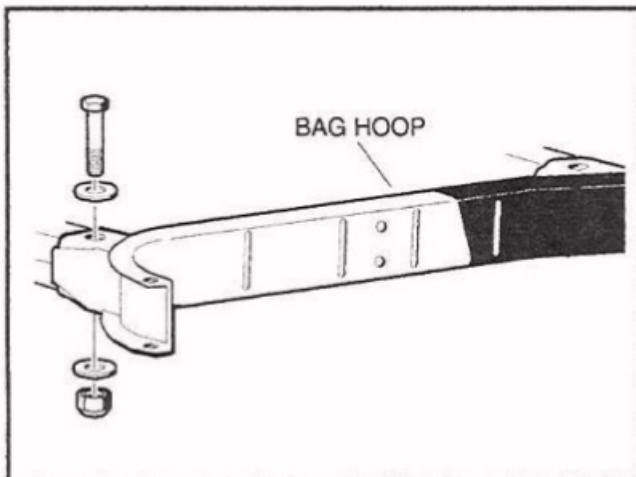


Figure 7 Remove Bag Hoop Mounting Hardware

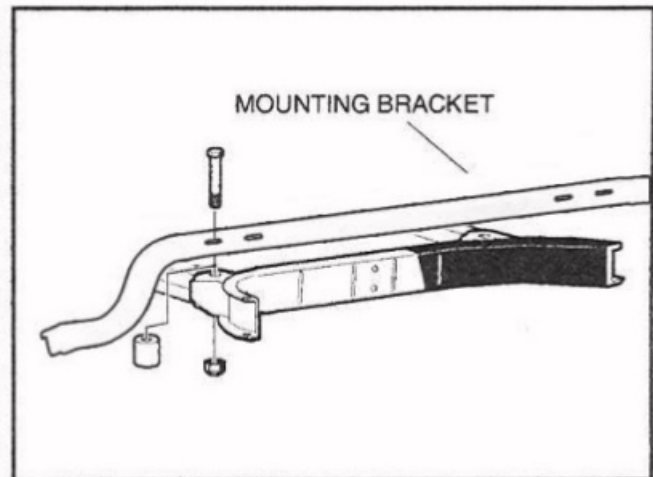


Figure 8 Install Mounting Bracket

- 4.2. Bring the mounting bracket to rest on the bag hoop (Figure 8). Check the canvas between the tracking bar and the lower eyelet. If the canvas appears tight, add spacers as required to raise the bracket until no tension remains in the canvas.
- 4.3. Install two 1/4-20 x 3-1/2 hex head cap screws, spacers as needed, and two nylon lock nuts (Figure 8). Tighten the hardware to 45 in-lb (5.1 N-m).

QUESTIONS

Questions or comments regarding this kit instruction should be referred to your local Club Car dealer or distributor. When calling, please know your vehicle model and have this kit instruction at hand.